

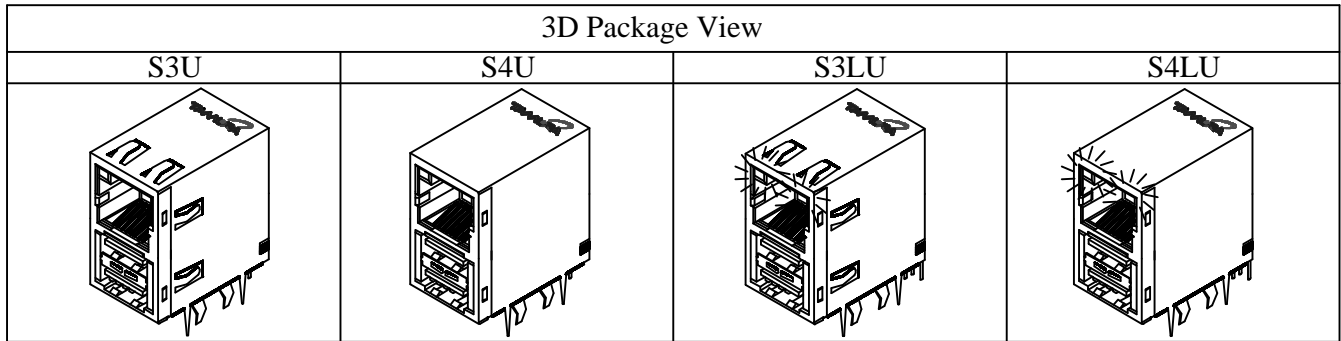
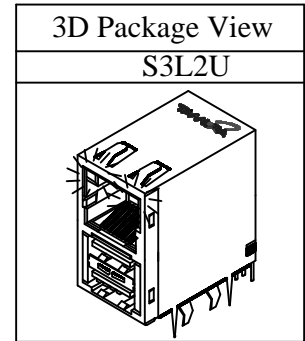


# RJ45 Integrated Connector, USB Stack

10/100 Base-TX, Single Port, Through Hole, With or Without LED

**Features:**

1. Meets IEEE 802.3 and ANSI X3.263
2. Operating Temperature: 0°C to +85°C
3. 1500Vrms Isolation
4. Enhanced Common Mode Attenuation for maximum EMI Suppression
5. Full Product Qualification Tests



Product Selection													
#	P/N	Row X Port	Pack age Style	Schematic Identification									
				Auto Xfmr	Input Pins -out		Output Pins -out		RTN	Turn Ratio	SCH #	LED Yellow	LED Green and/or Orange
1**	TIC-L025-11	1x1	S3LU	X	2,1,3	4,6,5	1,4,5,2	3,7,8,6	Shd	1ct:1ct	9L	7,8	9,10*
2**	TIC-L026-11	1x1	S3LU	X	2,1,3	4,6,5	1,4,5,2	3,7,8,6	Shd	1ct:1ct	9L	7,8	9,10*
3	TIC-L027-11	1x1	S3LU	X	2,1,3	4,6,5	1,4,5,2	3,7,8,6	Shd	1ct:1ct	9L1	7,8***	9,10
4	TIC-L028-11	1x1	S4LU	X	2,1,3	4,6,5	1,4,5,2	3,7,8,6	Shd	1ct:1ct	9L	7,8	9,10*
5	TIC-L029-11	1x1	S3L2U	X	2,1,3	4,6,5	1,4,5,2	3,7,8,6	Shd	1ct:1ct	9L1	7,8***	9,10
6	TIC-L030-11	1x1	S3U	X	2,1,3	4,6,5	1,4,5,2	3,7,8,6	Shd	1ct:1ct	10	No	No
7	TIC-L031-11	1x1	S4U	X	2,1,3	4,6,5	1,4,5,2	3,7,8,6	Shd	1ct:1ct	10	No	No

\* Bi-directional LED's, green and orange. The single LED is green.

\*\*The difference between these parts is breakdown voltage capacitor. 2KV for TIC-L025-11

\*\*\*LED on pins 7-8 is orange, on pins 9-10 is green. 3KV for TIC-L026-11

Package Identification				
Package #	Package Style	Size LWH		Package Identification
		inches	mm	
S3U	Single Port	1.005 x 0.662 x 1.138	25.53 x 16.81 x 28.91	6 Spring taps, 3 Pin-Rows, No LED Shield Mounting GND tap - USB Shell tap
S4U	Single Port	1.005 x 0.662 x 1.138	25.53 x 16.81 x 28.91	No Spring taps, 3 Pin-Rows, No LED Shield Mounting GND tap - USB Shell tap
S3L2U	Single Port	1.005 x 0.662 x 1.138	25.53 x 16.81 x 28.91	2 Spring taps, 4 Pin-Rows, LED's Shield Mounting GND tap - USB Shell tap
S3LU	Single Port	1.005 x 0.662 x 1.138	25.53 x 16.81 x 28.91	6 Spring taps, 4 Pin-Rows, LED's Shield Mounting GND tap - USB Shell tap
S4LU	Single Port	1.005 x 0.662 x 1.138	25.53 x 16.81 x 28.91	No Spring taps, 4 Pin-Rows, LED's Shield Mounting GND tap - USB Shell tap



# RJ45 Integrated Connector, USB Stack

10/100 Base-TX, Single Port, Through Hole, With or Without LED

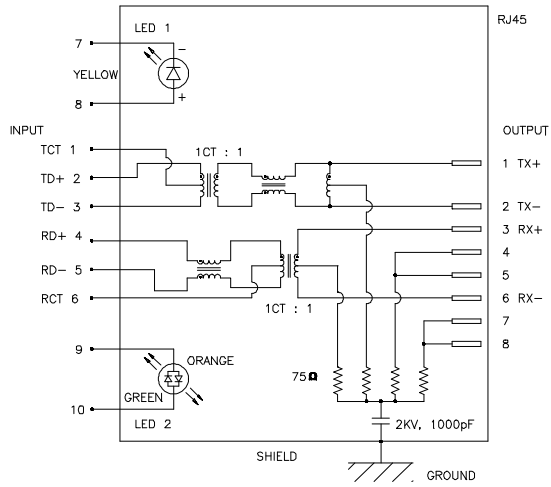
Package Information			
Weight		Quantity	
weight / pcs (g)	weight / carton (kg)	quantity / tray (pcs)	quantity / carton (pcs)
17.2	4.9	50	200

Electrical Specification @ 25 °C								
Insertion Loss (dB Max)	Return Loss (dB Min)			CMRR (dB Min)	Crosstalk (dB Min)	OCL (m H Min)	Hipot (Vrms)	Impedance (Ω)
1-100 MHz 1	1-30 MHz -18	60 MHz -16	80 MHz -12	1-100 MHz -35	1-100 MHz -35	8mA Dc Bias 350	1 minute 1500	100

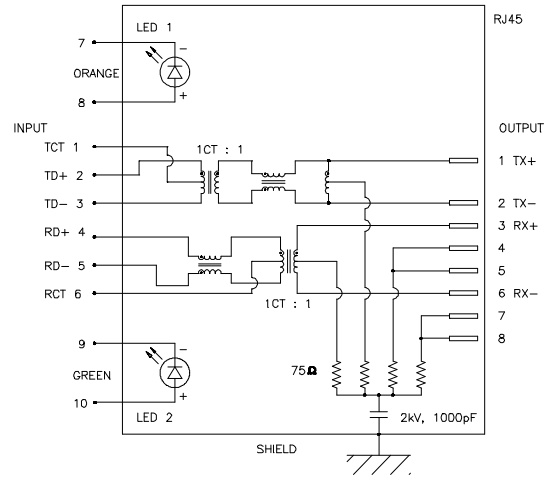
Mechanical Material Specification									
Contact Material	Contact						Housing & Insert	Shell	
	Contact Finish							Front	Back
	Upper Contact			Lower Contact					
	Contact Area	Solder Tail Area	Under-plating	Contact Area	Solder Tail Area	Under-plating			
Phosphor Bronze	Gold	Tin/Lead (9:1)	Nickel	Gold	Tin/Lead (9:1)	Nickel	Thermoplastic Nylon 6T, Black	Stainless SUS 304	Stainless SUS 304
0.35 mm thick	30 μ" Min.	100 μ" Min.	50 μ" Min.	100 μ" Min.	100 μ" Min.	50 μ" Min.	UL 94V-0	0.25 mm thick	0.20 mm thick

Product Qualification Tests	
Test #	Test Description
1	Product Performance : Complete Electrical Test, Mechanical Measurements and Visual Inspection
2	Low Level Contact Resistance
3	Dielectric Strength
4	Insulation Resistance
5	Vibration
6	Mechanical Shock
7	Durability (Repeated mating / unmating)
8	Solderability
9	Thermal Shock
10	Humidity Temperature Cycling

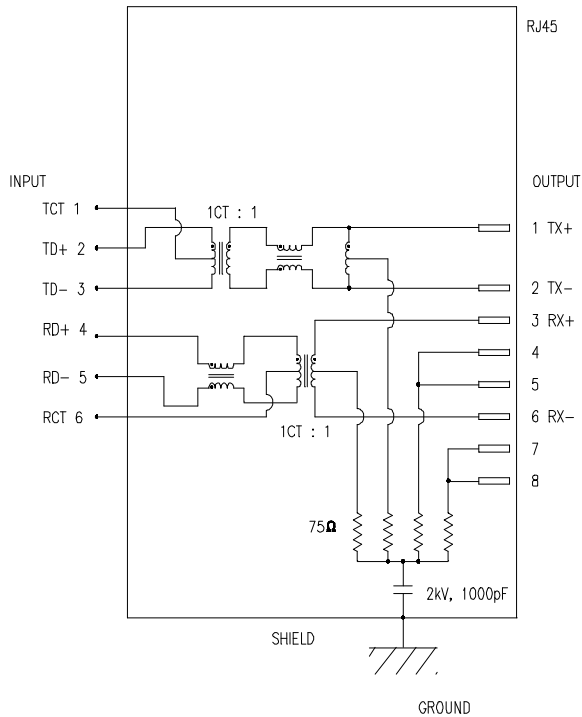
Schematic 9L



Schematic 9L1



Schematic 10



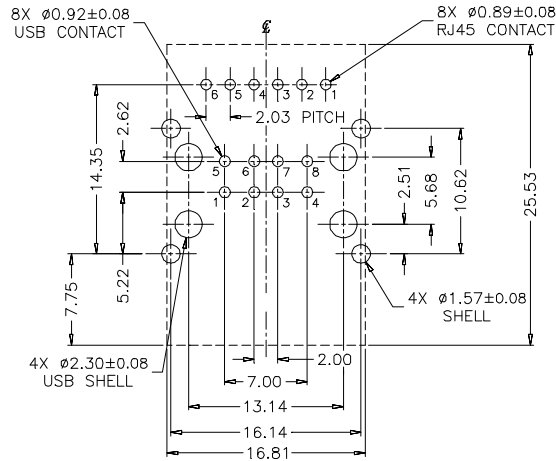
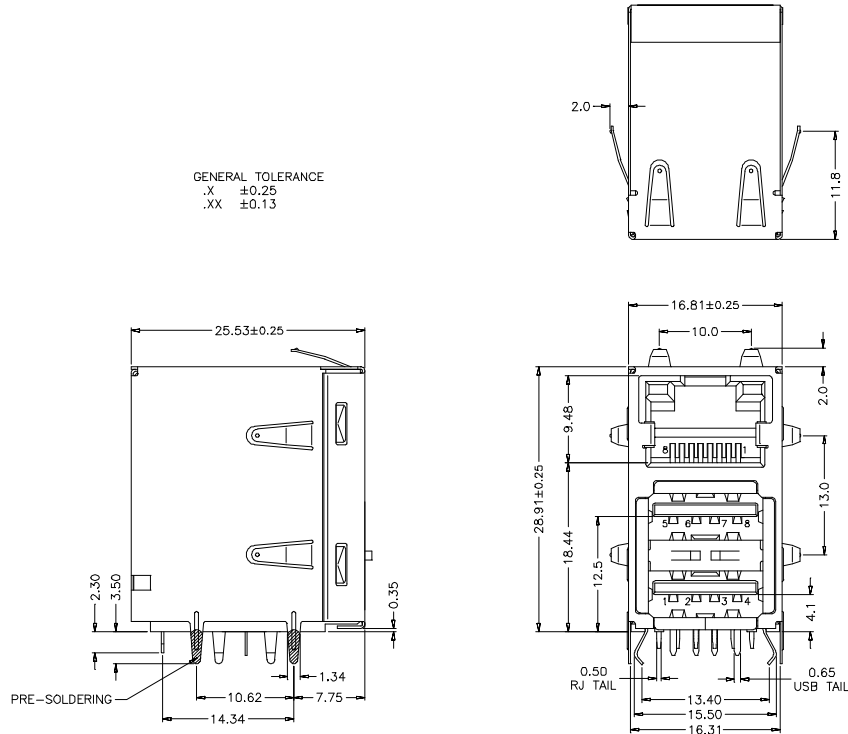


# RJ45 Integrated Connector, USB Stack

10/100 Base-TX, Single Port, Through Hole, With or Without LED

## Package S3U

GENERAL TOLERANCE  
 .X  $\pm 0.25$   
 .XX  $\pm 0.13$



RECOMMENDED PCB LAYOUT  
 COMPONENT SIDE  
 PCB THICKNESS : 1.60mm  
 ALL DIMENSION TOLERANCE ARE  $\pm 0.05$   
 UNLESS OTHERWISE SPECIFIED



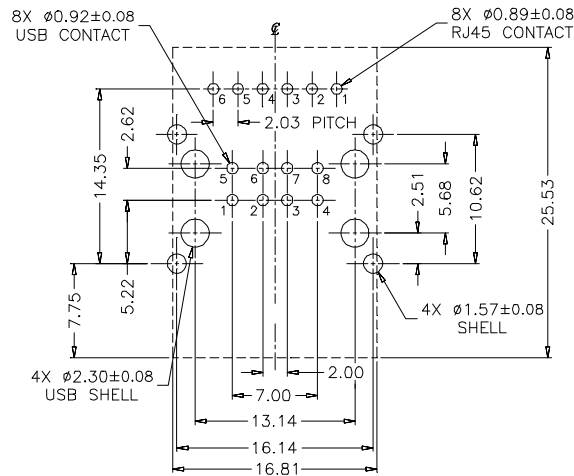
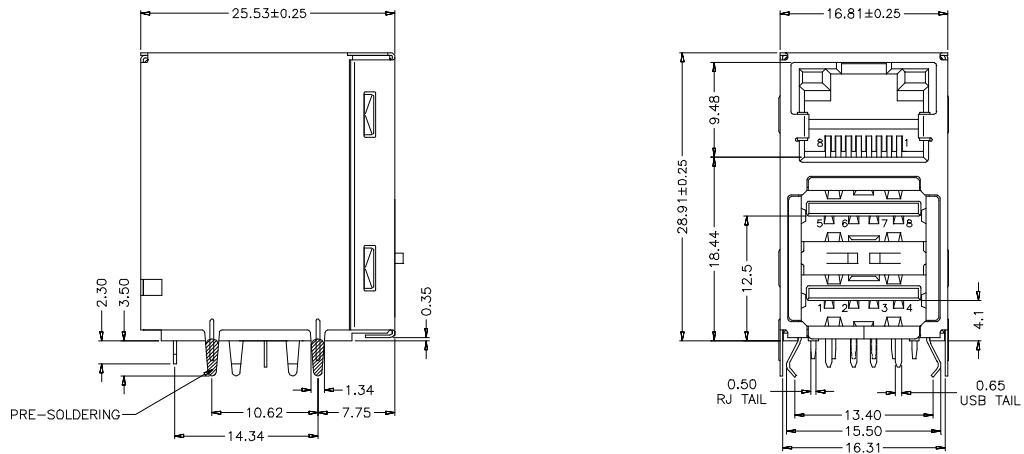
# RJ45 Integrated Connector, USB Stack

10/100 Base-TX, Single Port, Through Hole, With or Without LED

## Package S4U

### GENERAL TOLERANCE

.XX ±0.13  
.X ±0.25

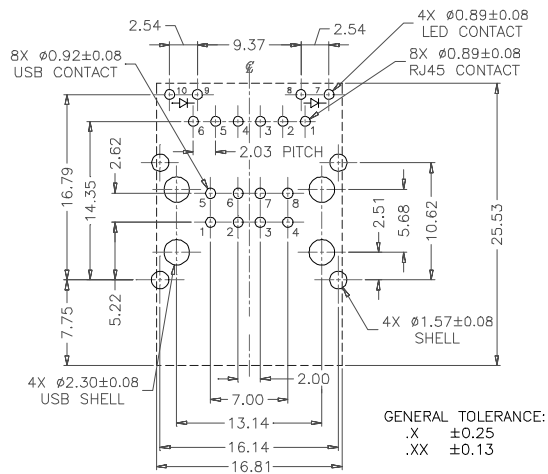
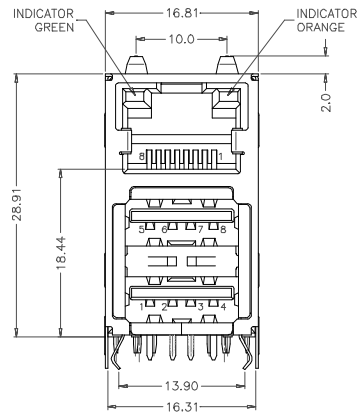
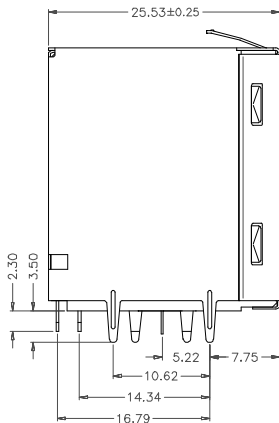
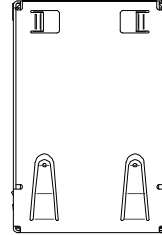


RECOMMENDED PCB LAYOUT  
COMPONENT SIDE  
PCB THICKNESS : 1.60mm  
ALL DIMENSION TOLERANCE ARE ±0.05  
UNLESS OTHERWISE SPECIFIED

### Package S3L2U

GENERAL TOLERANCE

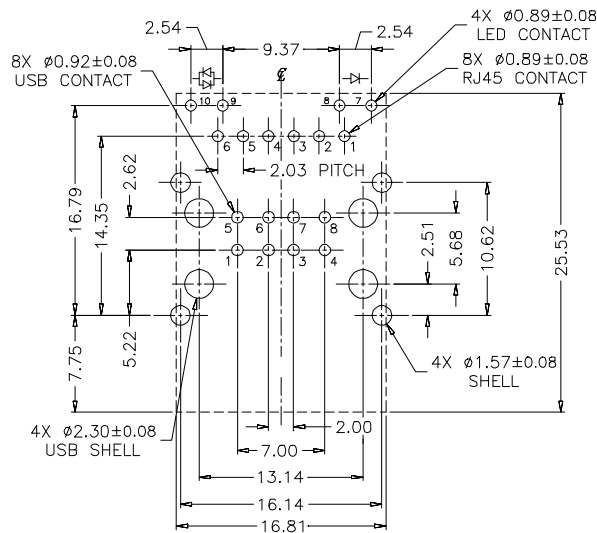
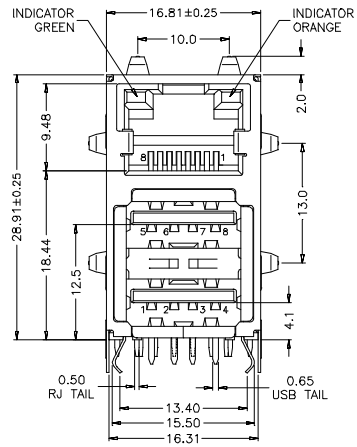
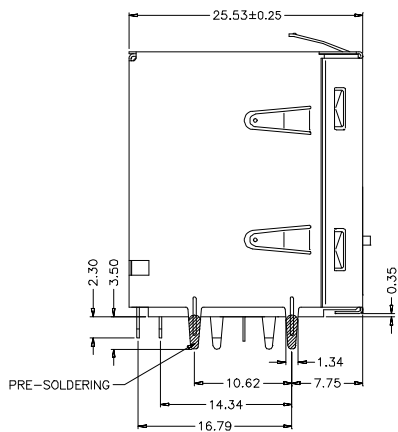
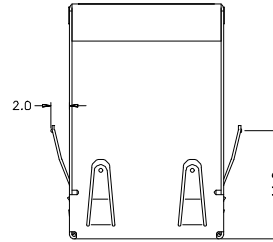
.X  $\pm 0.38$   
 .XX  $\pm 0.25$



RECOMMENDED PCB LAYOUT  
 COMPONENT SIDE  
 PCB THICKNESS : 1.60mm  
 ALL DIMENSION TOLERANCE ARE  $\pm 0.05$   
 UNLESS OTHERWISE SPECIFIED

### Package S3LU

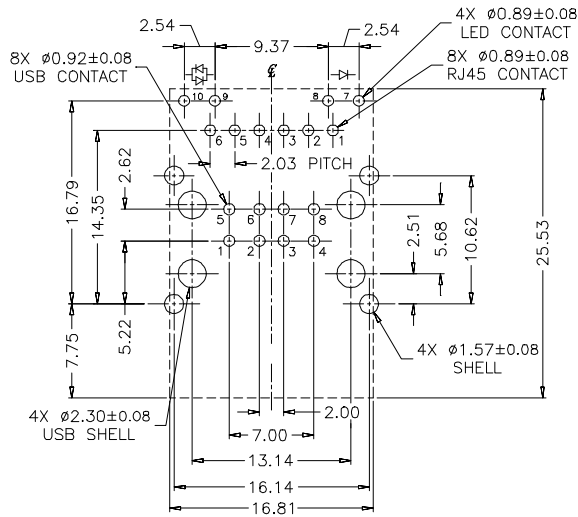
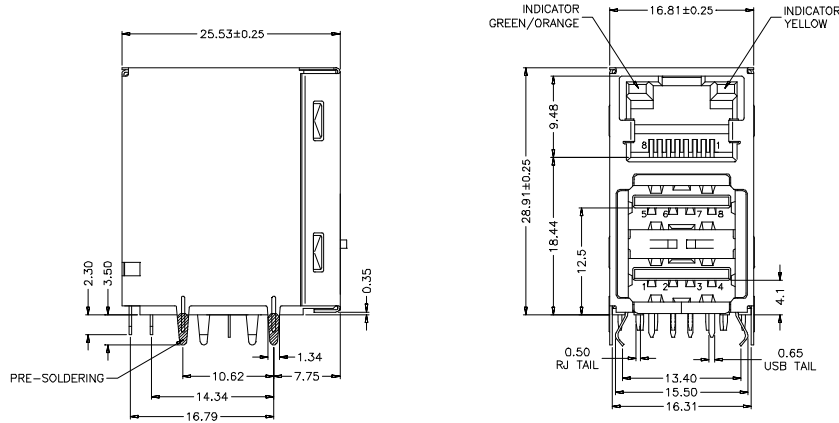
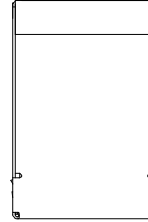
GENERAL TOLERANCE  
 .XX ±0.13  
 .X ±0.25



RECOMMENDED PCB LAYOUT  
 COMPONENT SIDE  
 PCB THICKNESS : 1.60mm  
 ALL DIMENSION TOLERANCE ARE ±0.05  
 UNLESS OTHERWISE SPECIFIED

### Package S4LU

GENERAL TOLERANCE  
 .XX ±0.13  
 .X ±0.25



RECOMMENDED PCB LAYOUT  
 COMPONENT SIDE  
 PCB THICKNESS : 1.60mm  
 ALL DIMENSION TOLERANCE ARE ±0.05  
 UNLESS OTHERWISE SPECIFIED